

XENON MINI SURFACE





APPLICATION

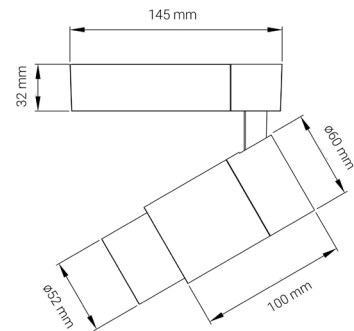
- Galleries
- Museums
- Restaurants
- Retail

FEATURES

- Adjustable beam angle for ultimate flexibility
- Designed specifically to highlight objects and create subtle drama in spaces
- Miniature size
- Concealed light source for low glare
- Minimalism aluminium body with matte powder coat
- High quality Cree LED
- Surface mounted

TECHNICAL DATA

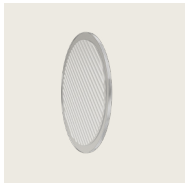
LED WATTS	9 W
COLOUR TEMP	2700 K, 3000 K, 4000 K
LUMENS	530 lm
IP RATING	IP20
BEAM ANGLE	10° - 60° adjustable
TILTING ANGLE	Horizontal 350° Vertical 90°
CRI	> 90
MOUNTING	Surface mounted
MATERIALS	Aluminium
OPERATING TEMP	-20°C ~ 40°C
SERVICE LIFE	L90 B10 = 50.000 hrs
DIMMING	On Board dimming
DIMENSIONS	ø 52 mm x 100 mm
WARRANTY	5 Years
FINISH	  White Black



ACCESSORIES



HC - Honeycomb lens



EL - Elliptical lens

LUMINAIRE SELECTION

XMS - 09 - [] - AB - [] - OB - []

POWER

09 - 9W

CCT

27 - 2700K

30 - 3000K

40 - 4000K

BEAM ANGLE

AB - Adjustable

FINISH

WH

BL

DIMMING

OB - On Board

ACCESSORY (optional)

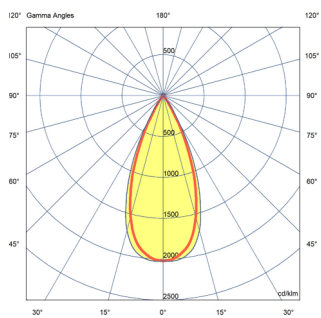
HC - Honeycomb

EL - Elliptical

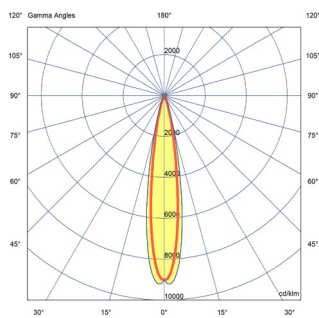
An example:

XMS - 09 - 40 - AB - BL - OB - EL

POLAR CURVES



60° beam angle polar curve shown



10° beam angle polar curve shown